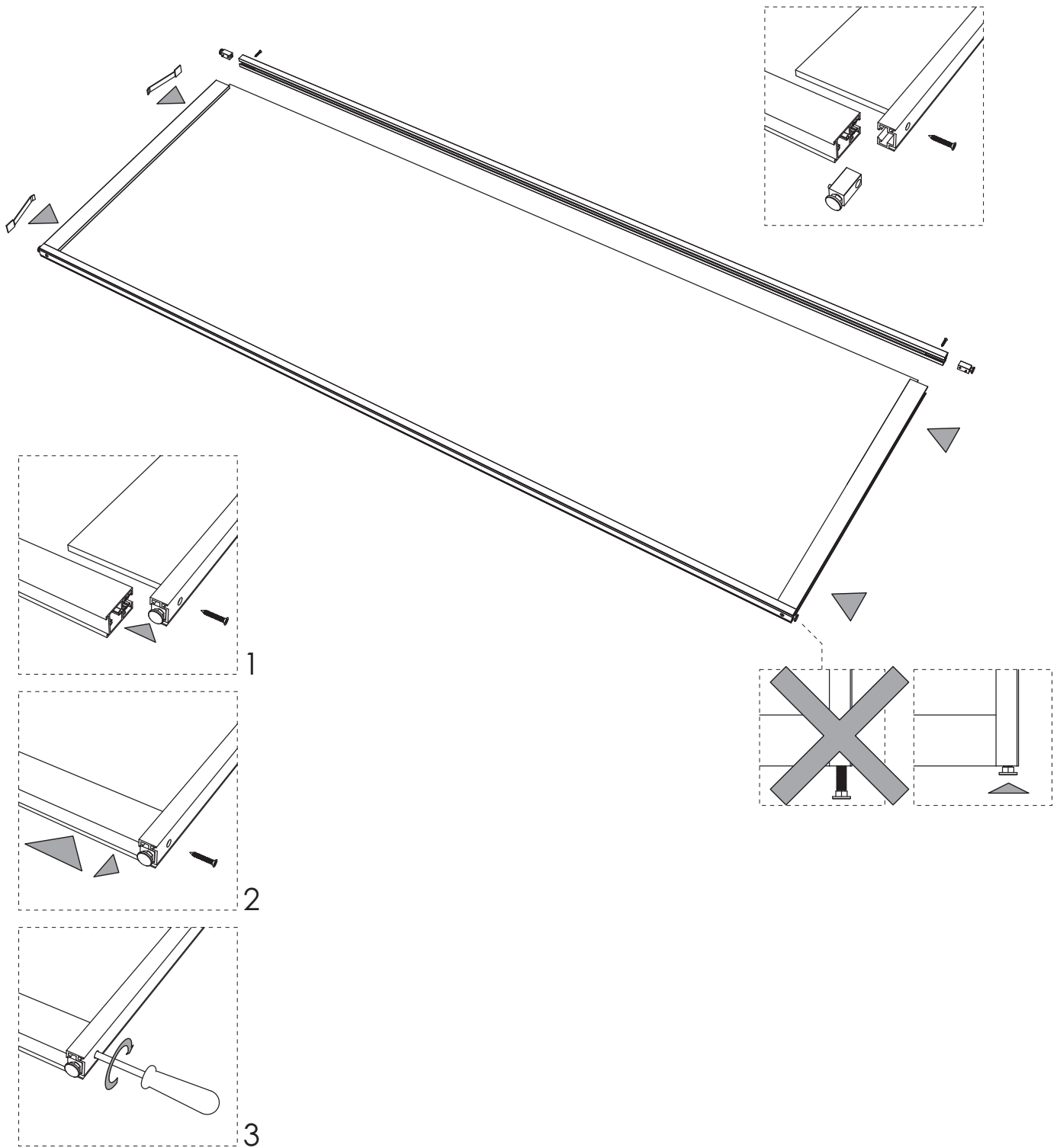
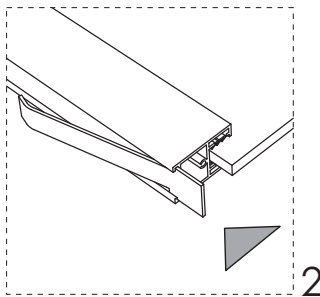
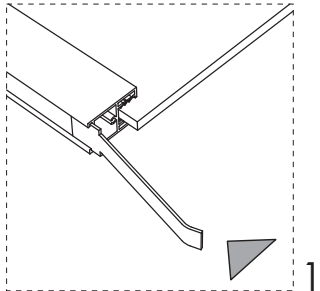
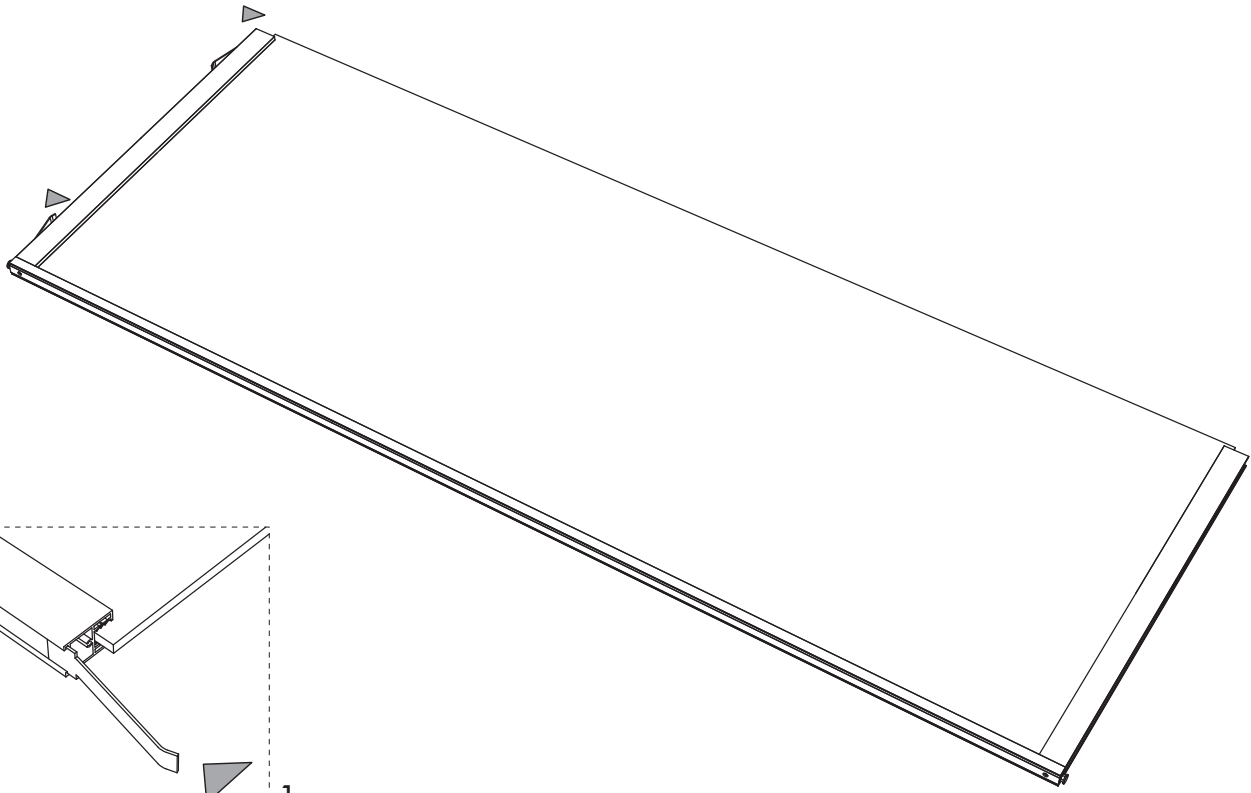
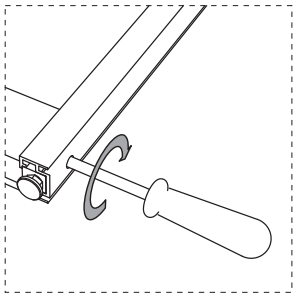
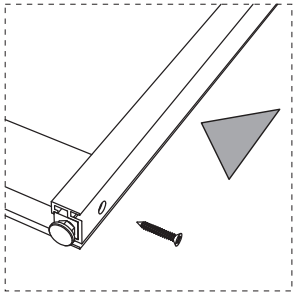
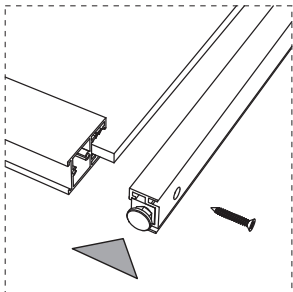
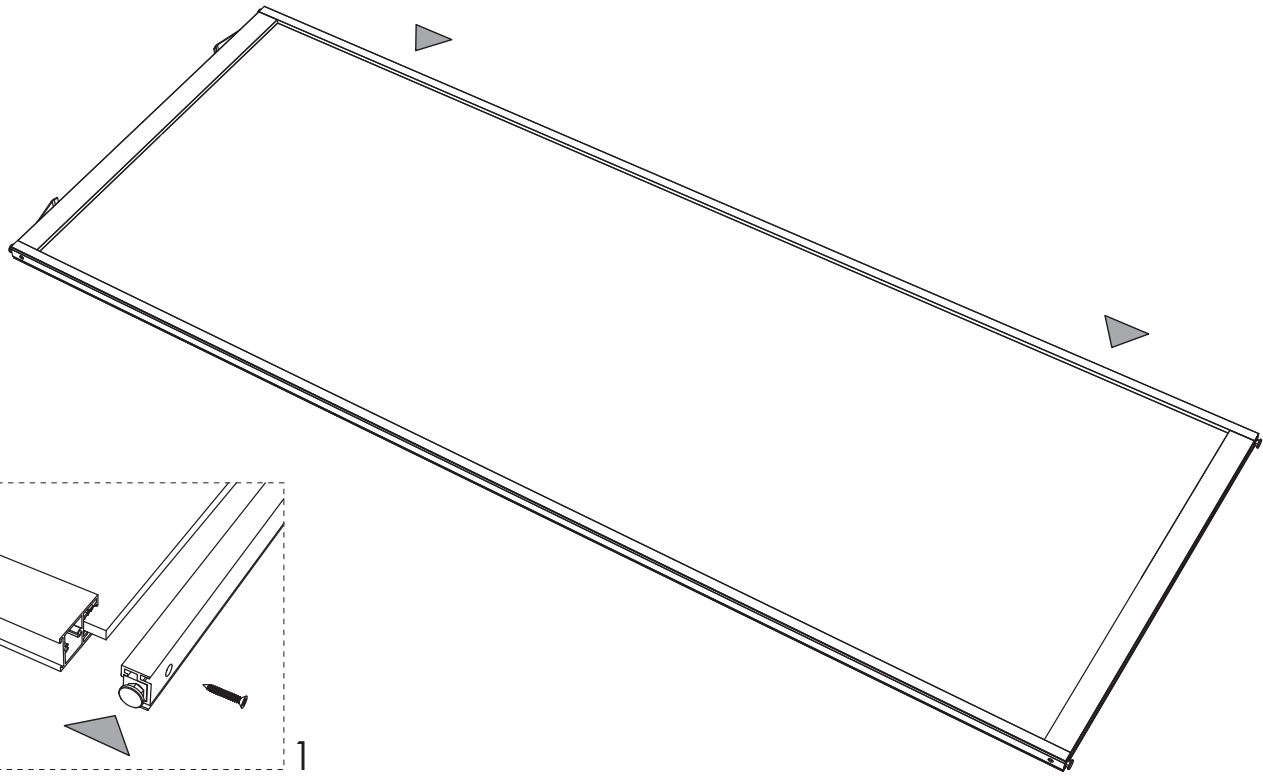


The image shows the cover of a manual for a window or door frame. The background is a grayscale photograph of a white frame installed in a corner of a room. The frame is partially open, revealing a dark, textured mesh screen with a complex, overlapping geometric pattern. The text is located in the upper right quadrant of the page.

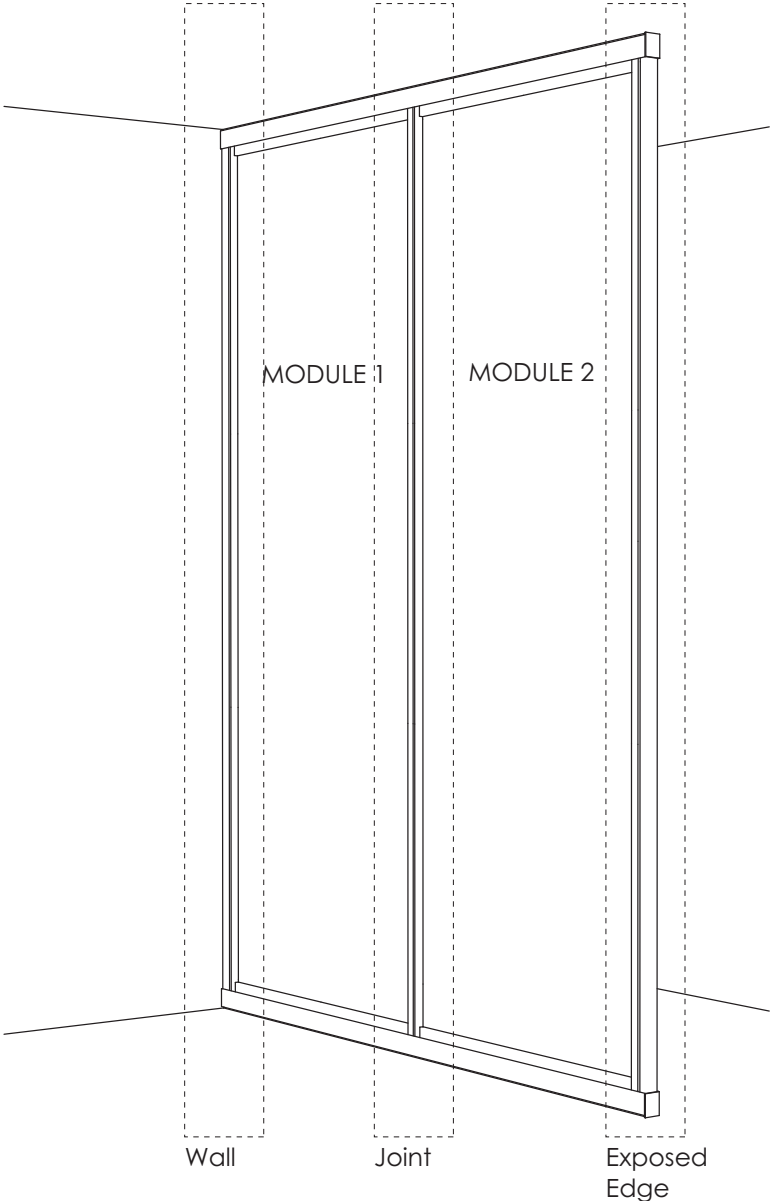
3form™ FRAME
Installation Manual

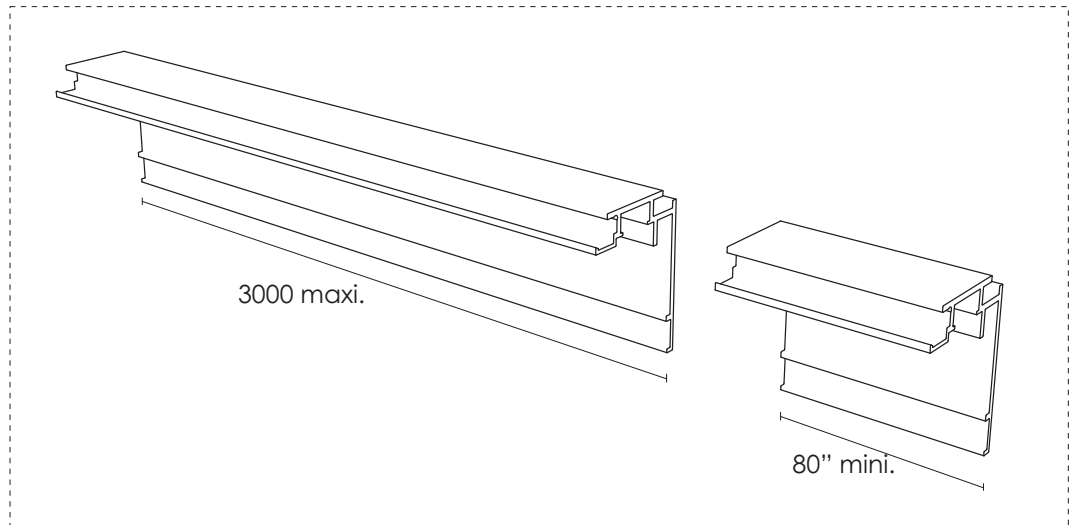
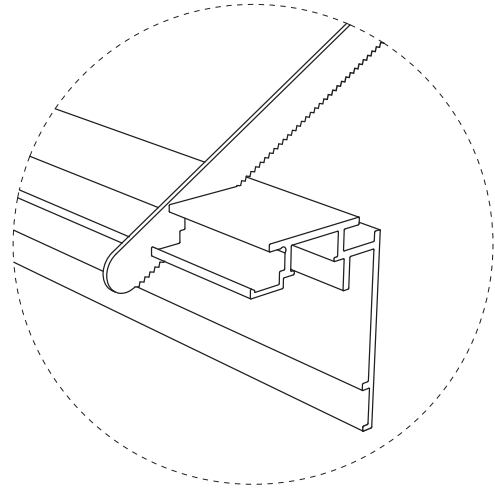
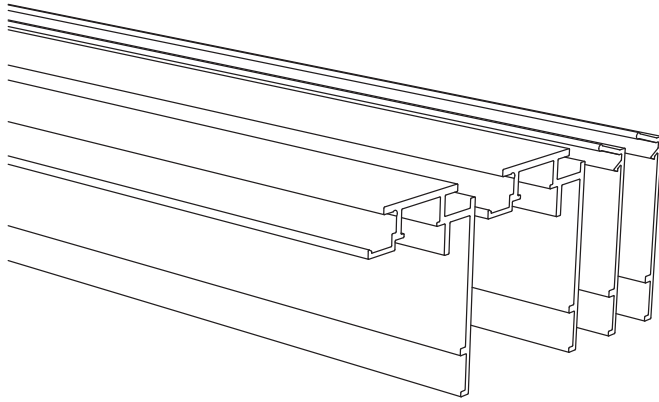


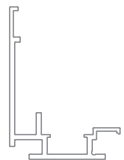
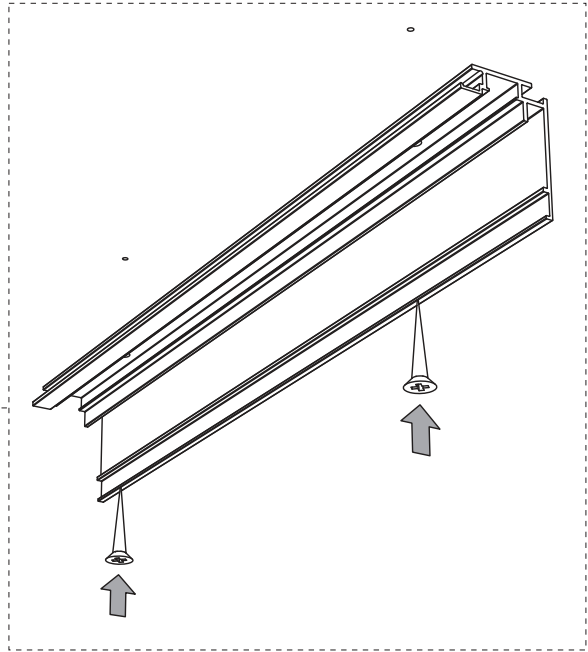
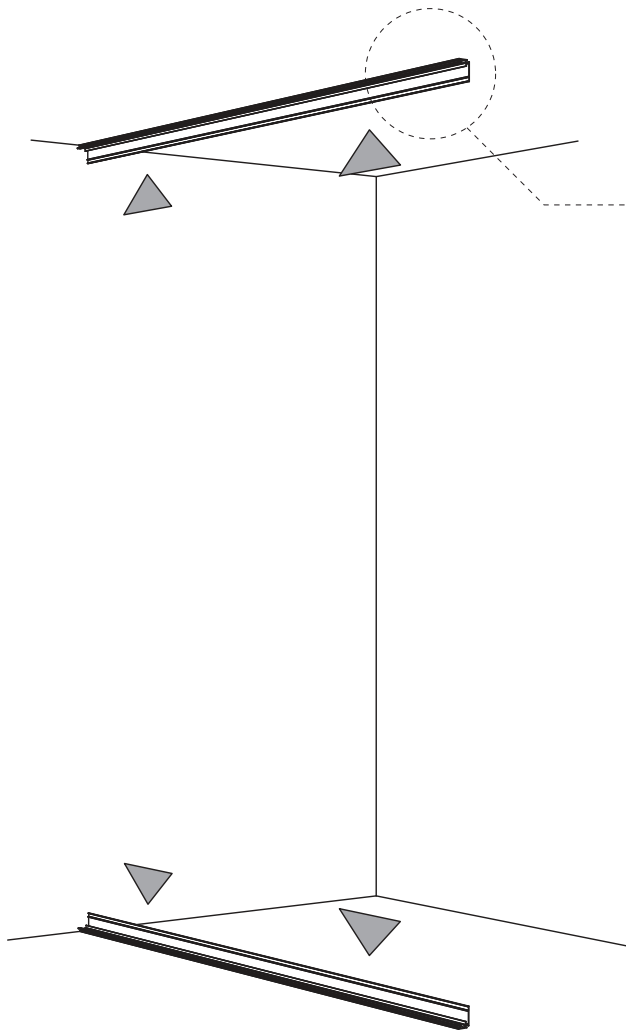




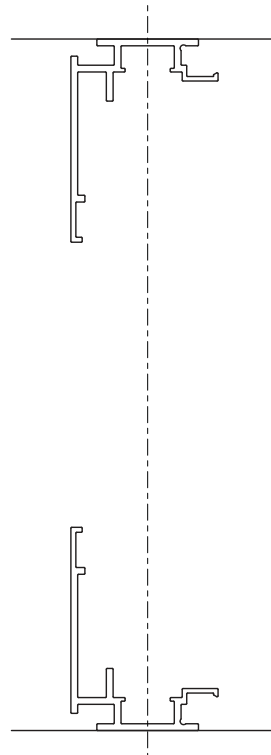
2: FRAME INSTALLATION







x2

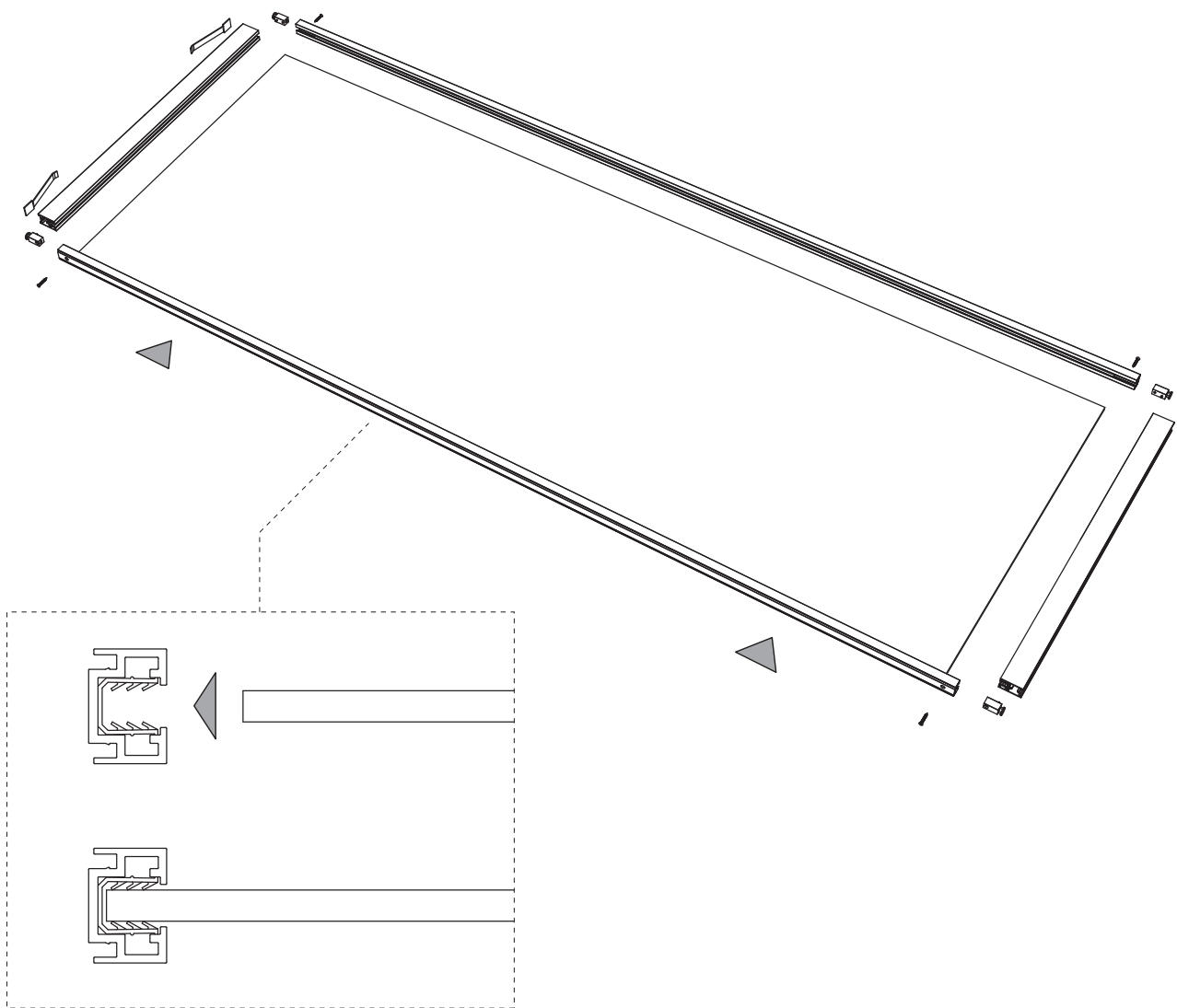


3form

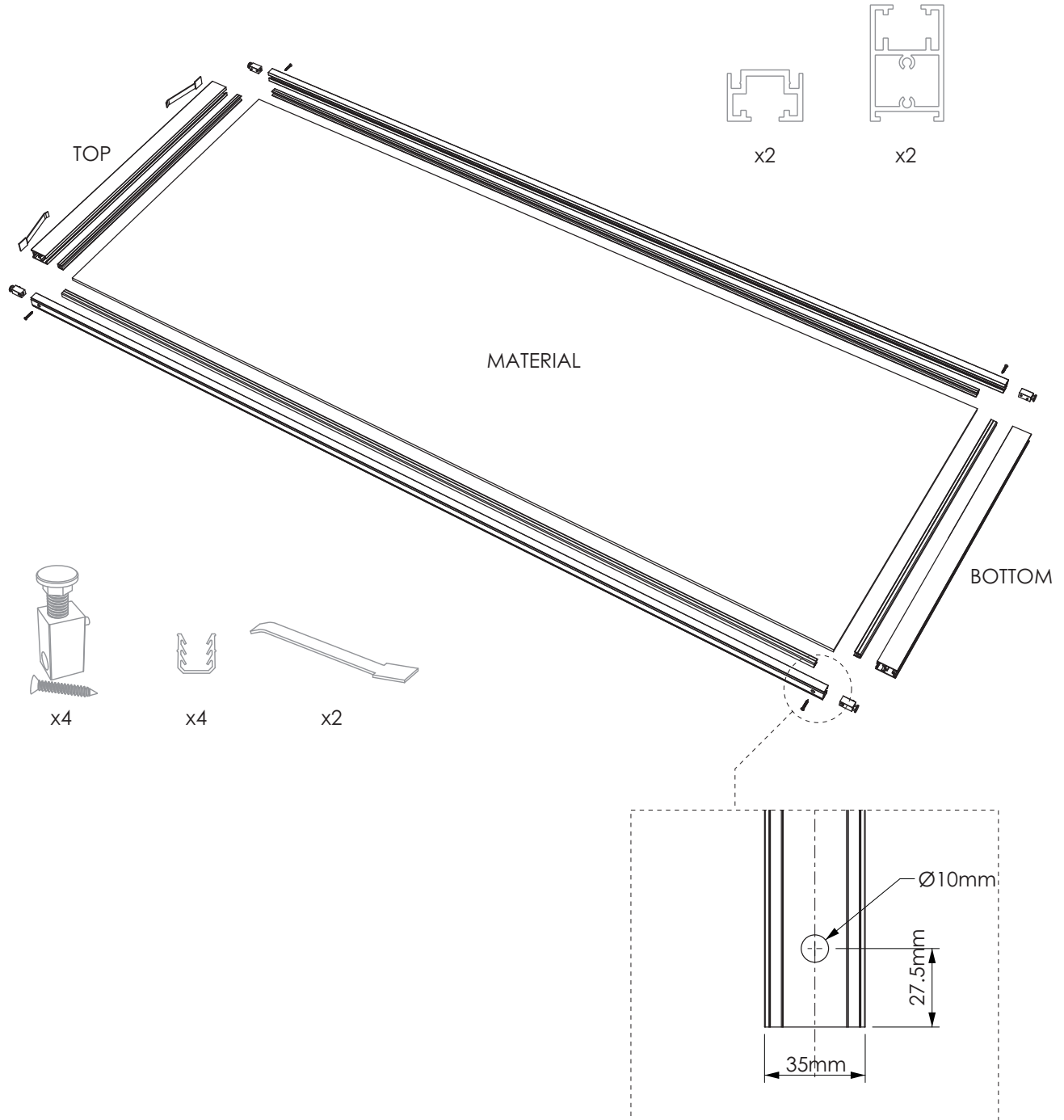
Solution Document
FRAME

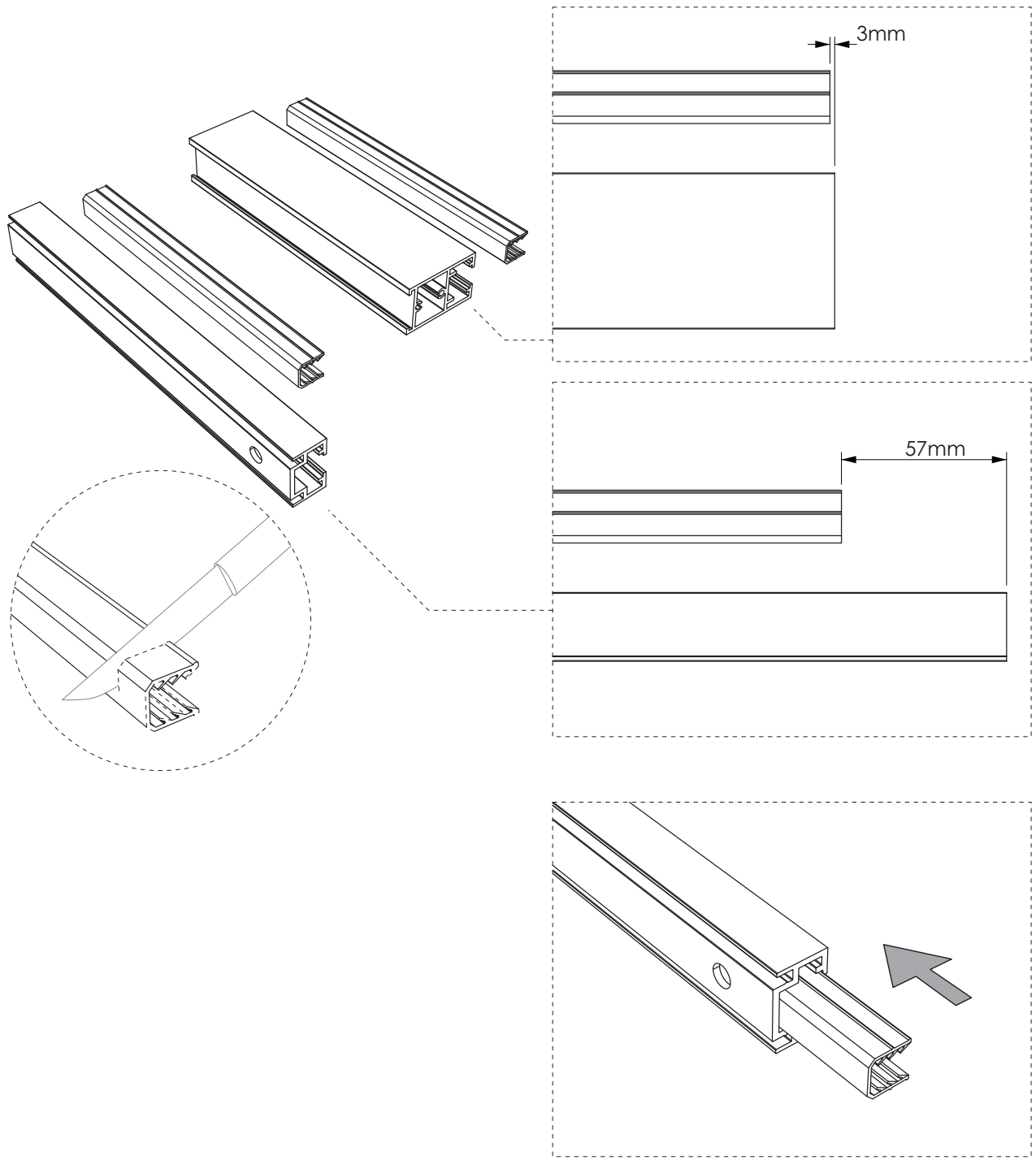
For more information, please visit www.3form.eu
or email info@3form.eu or call **+31 (0) 88 336 576 00**
June 10TH 3form BV, All rights reserved

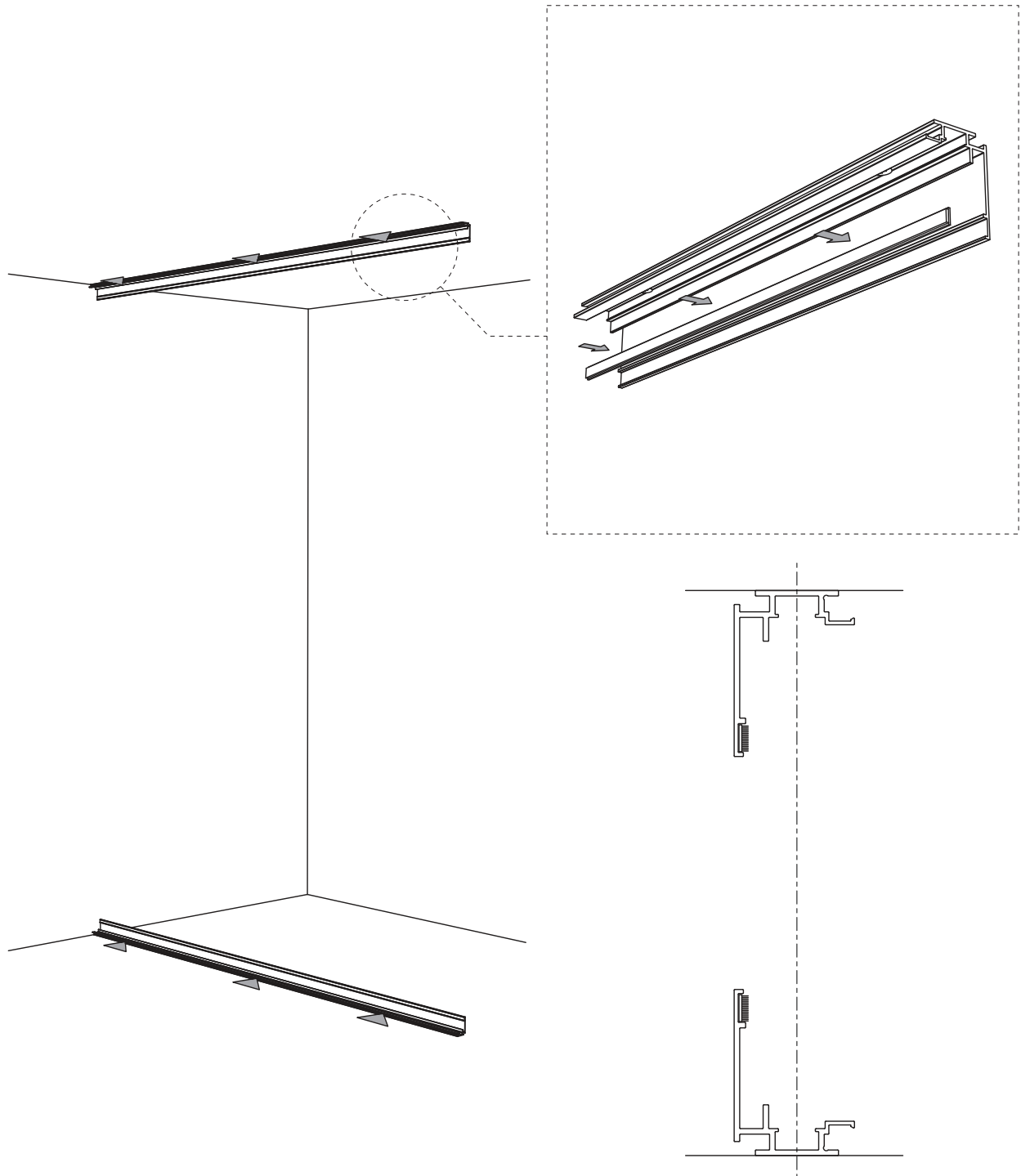
09

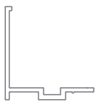
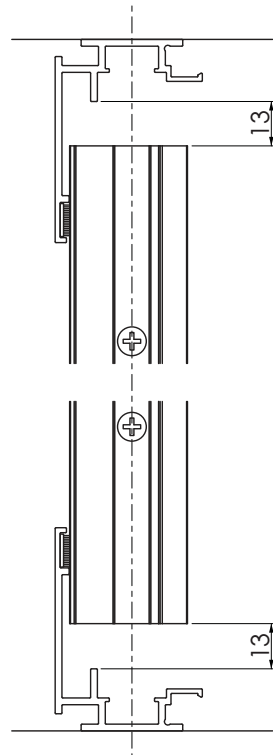
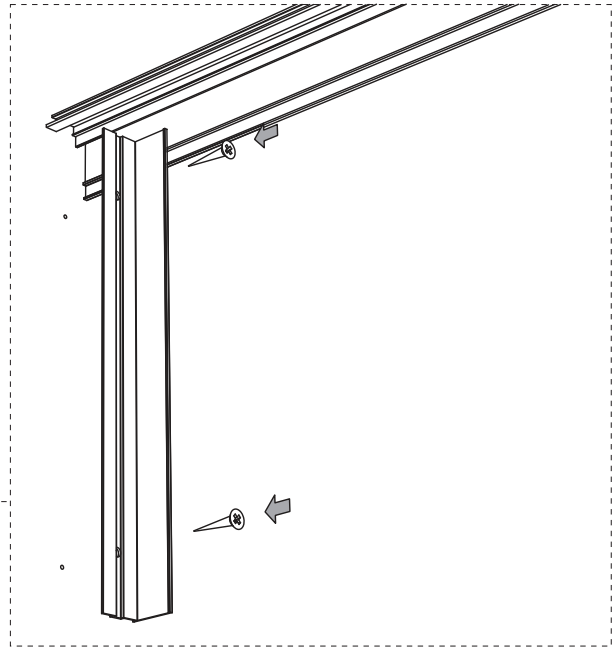
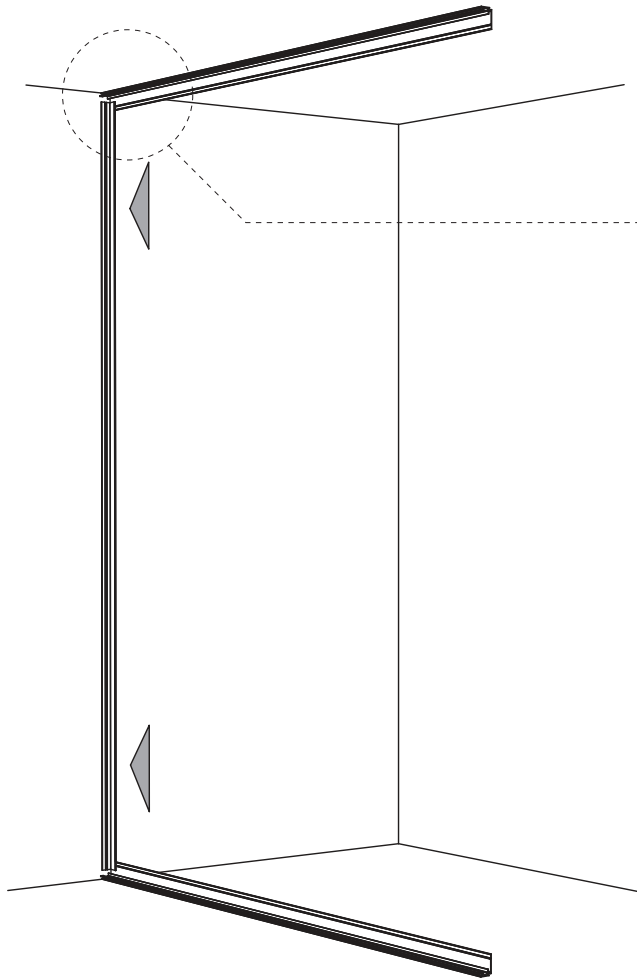


1: FRAME ASSEMBLY

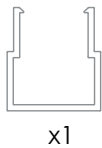
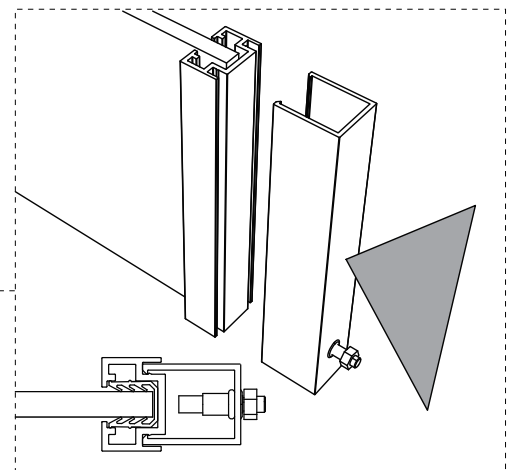
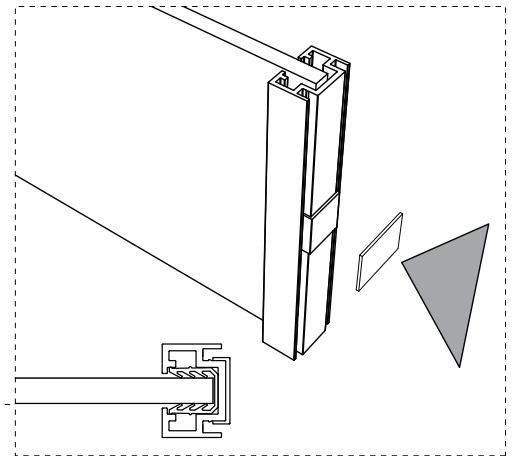
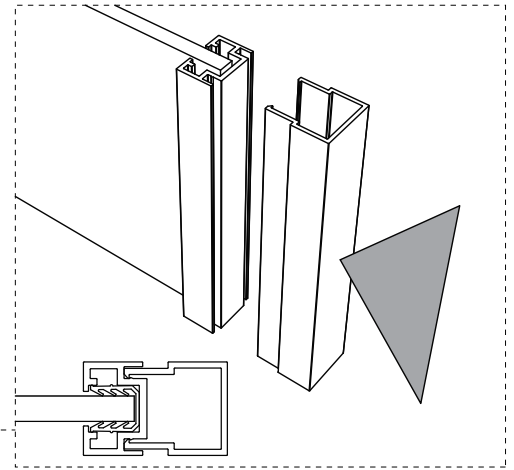
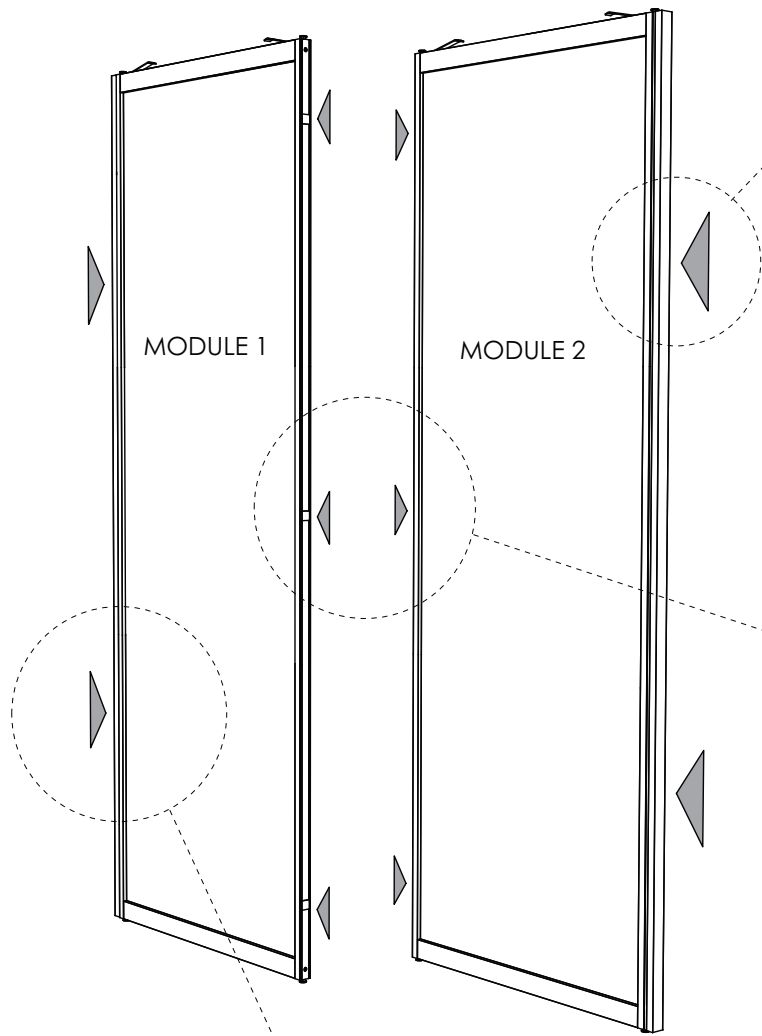


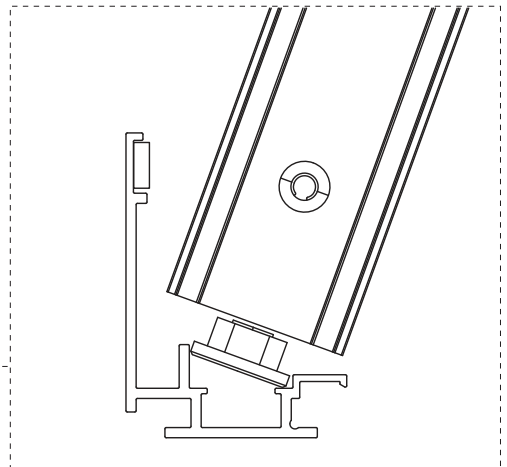
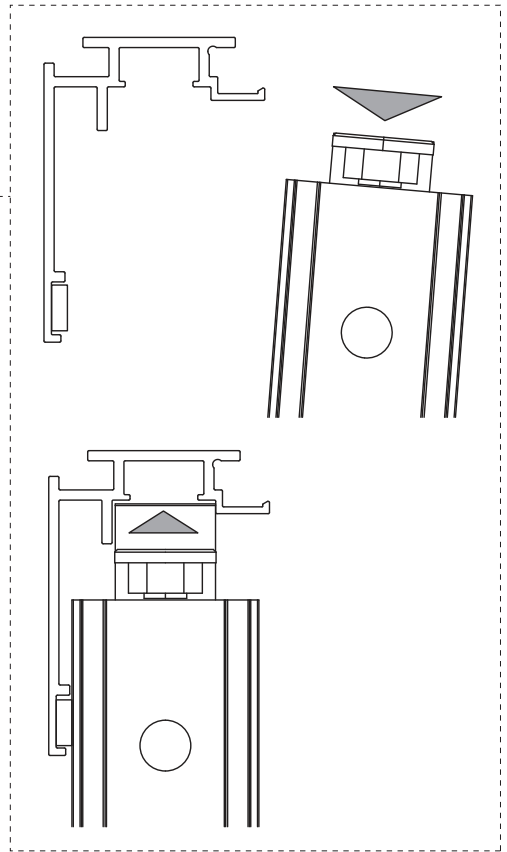
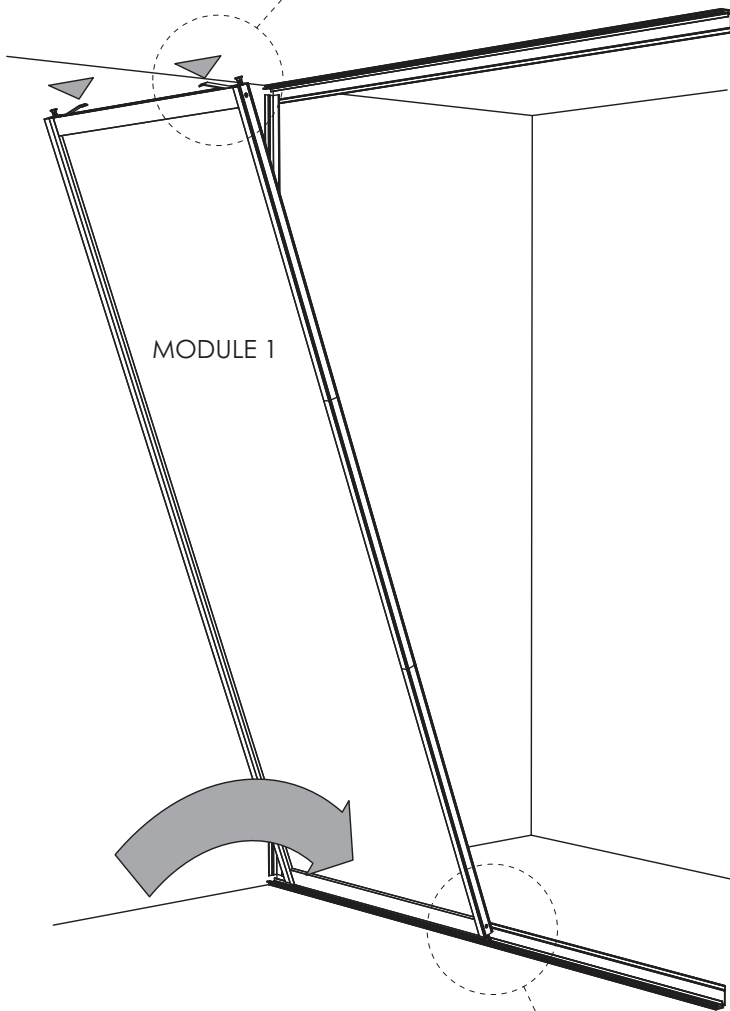


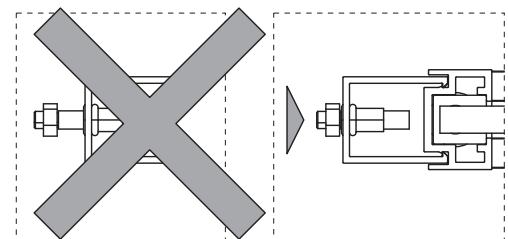
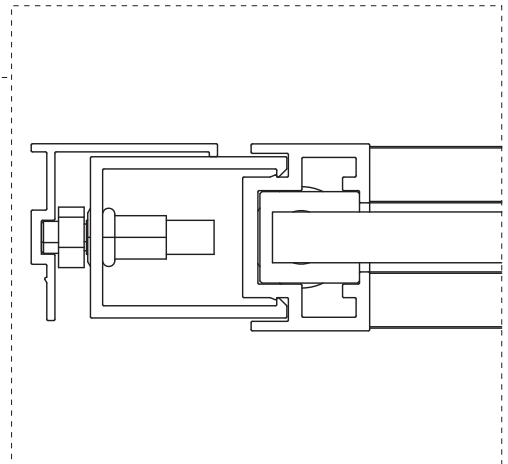
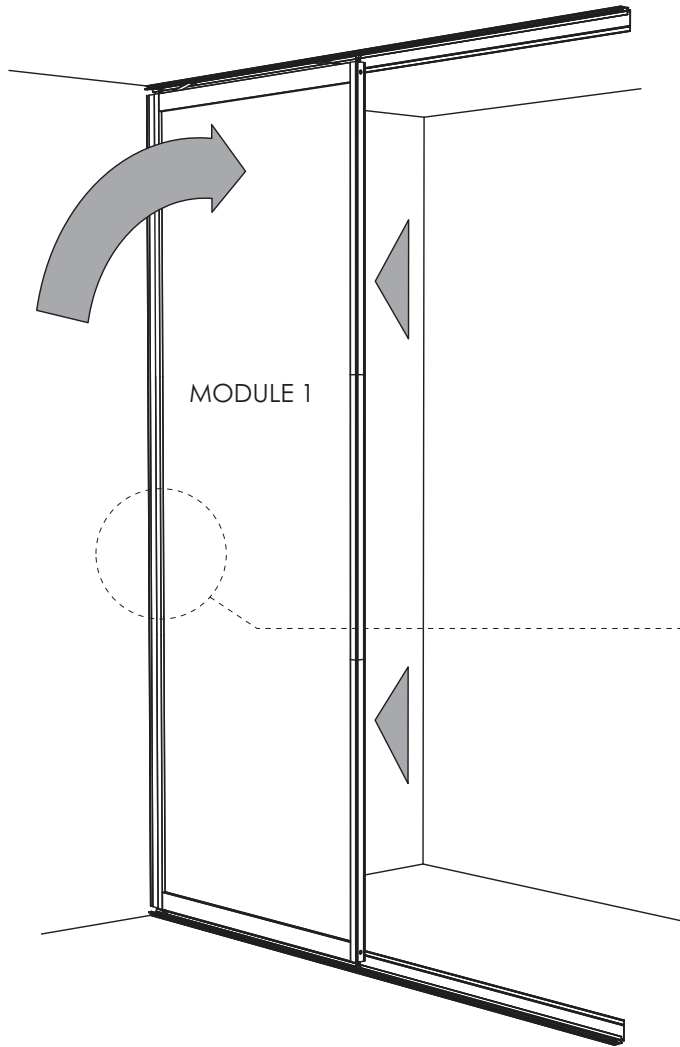


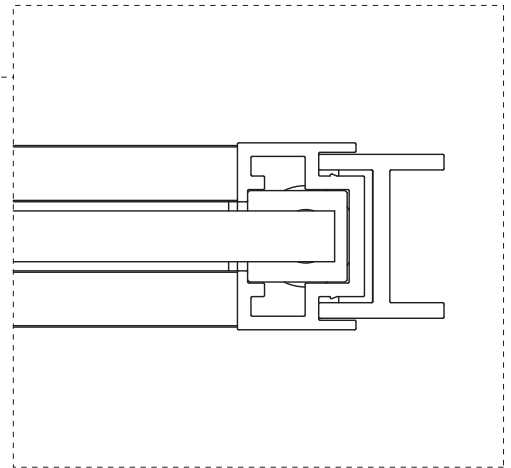
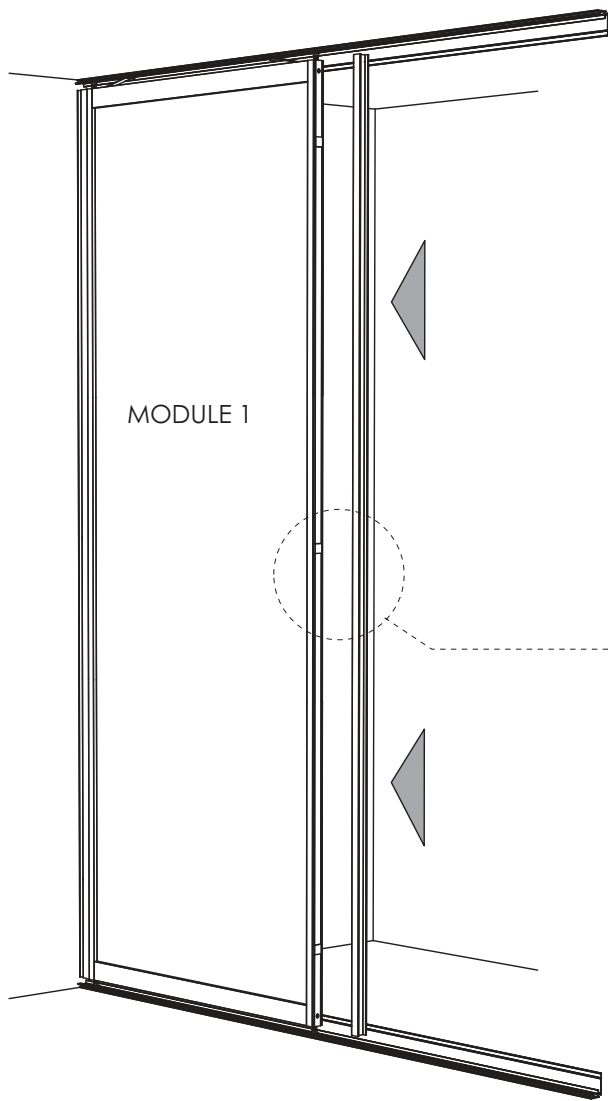


x1

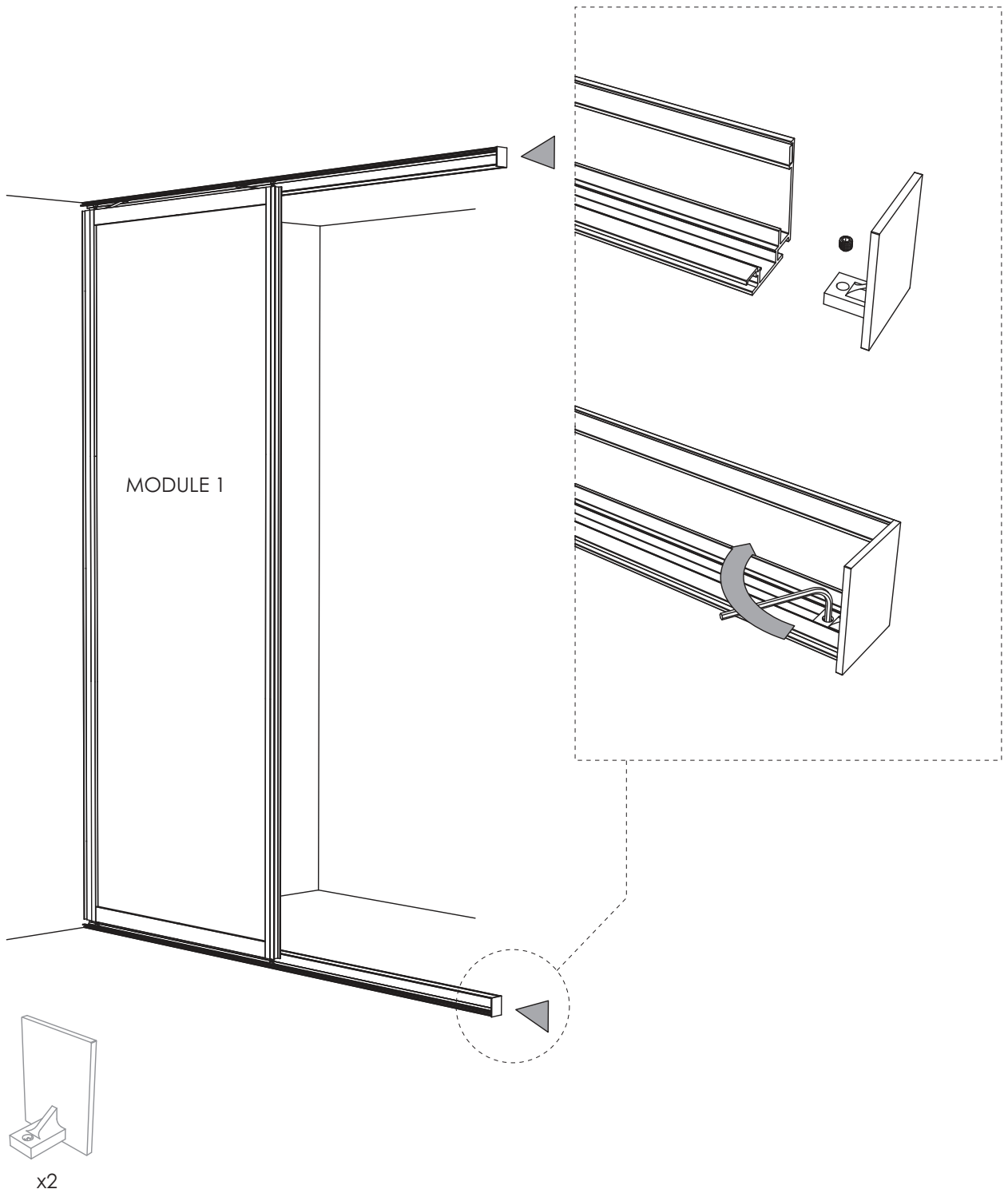


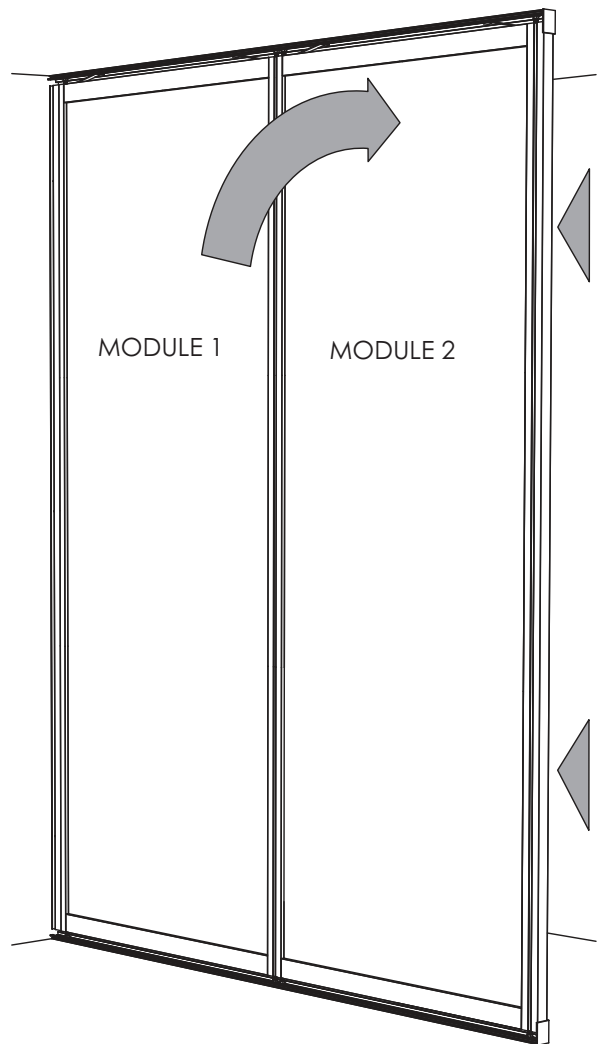
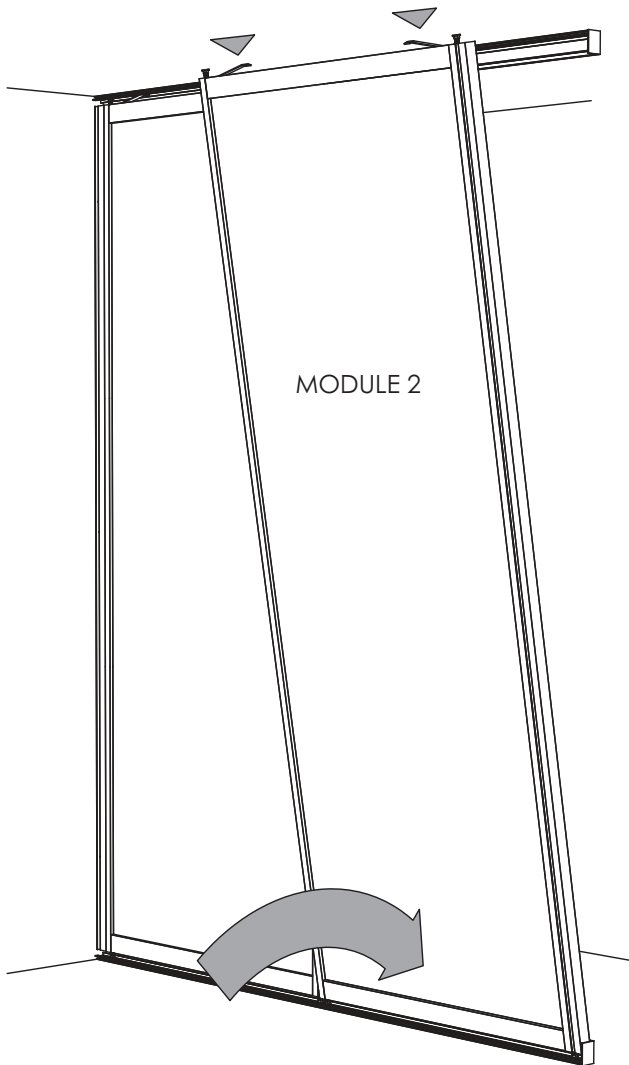


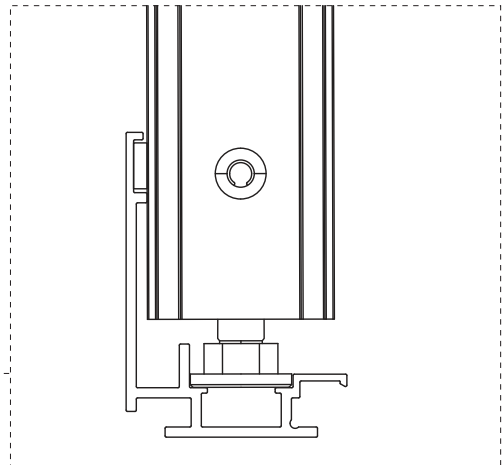
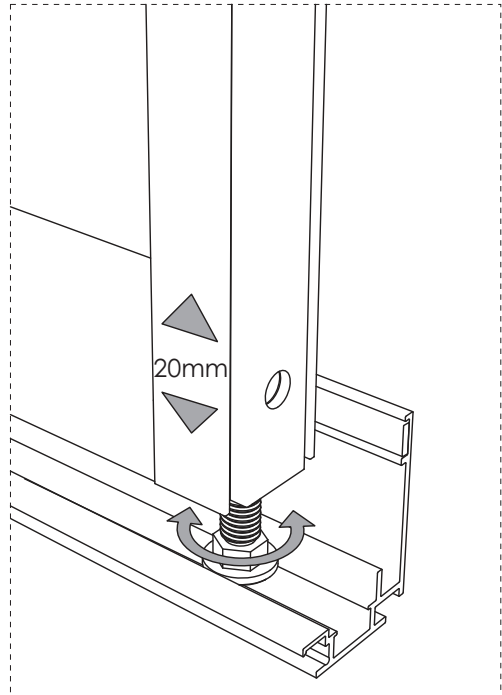
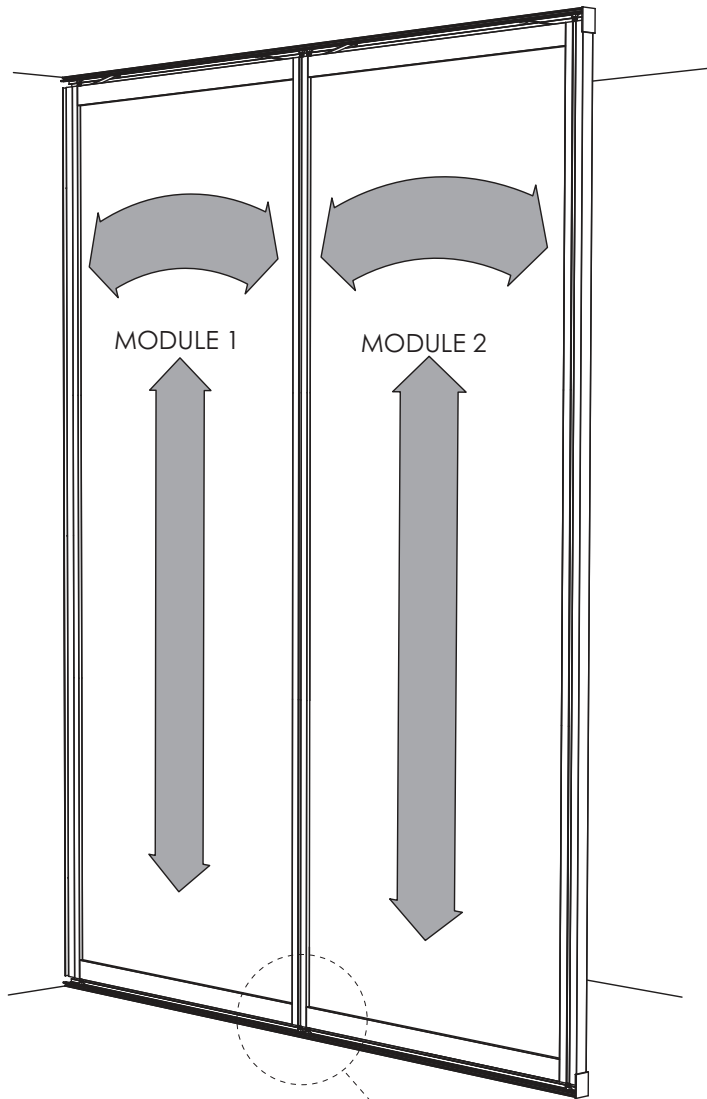


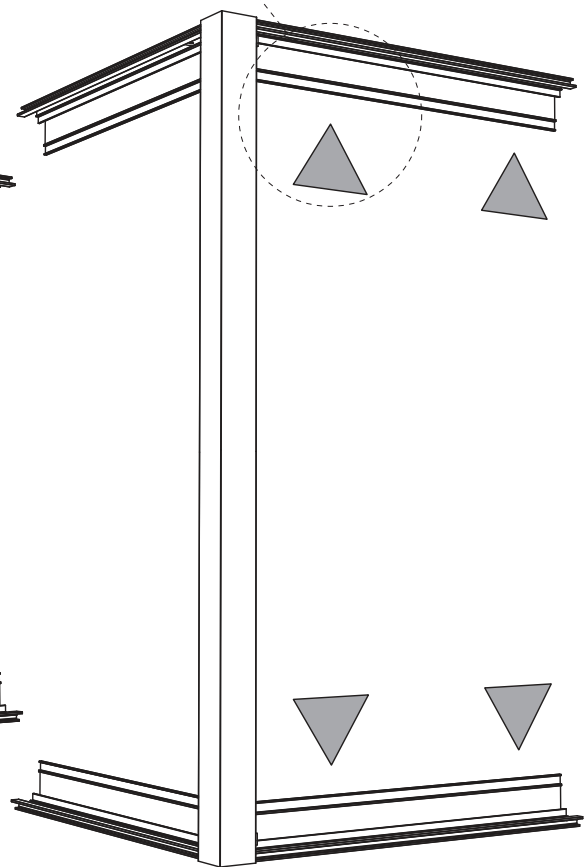
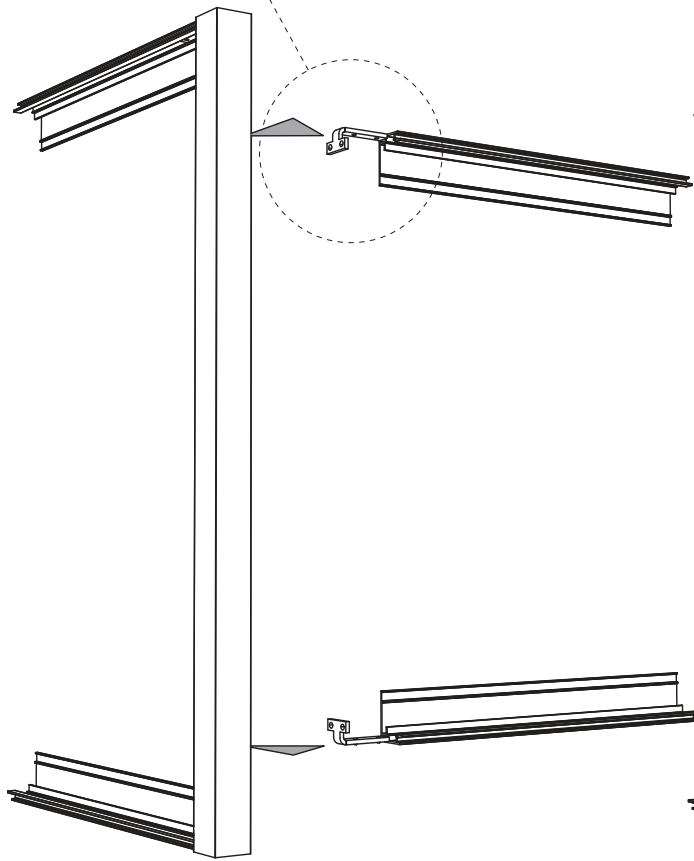
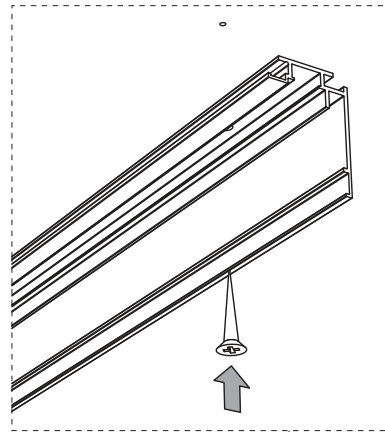
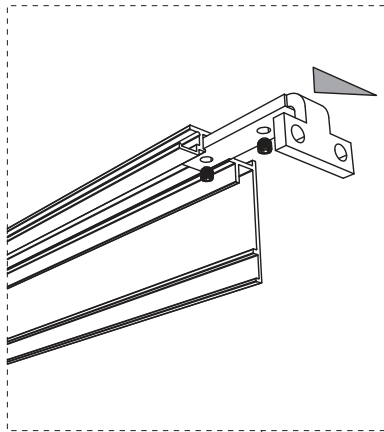


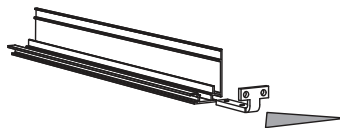
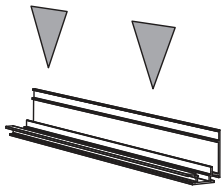
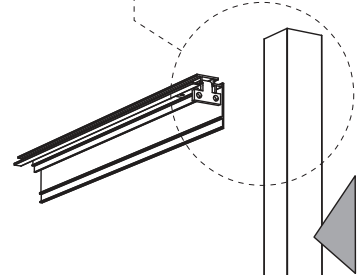
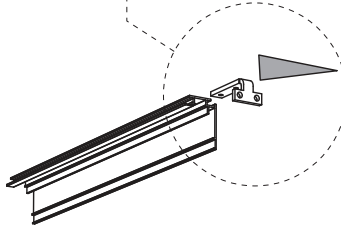
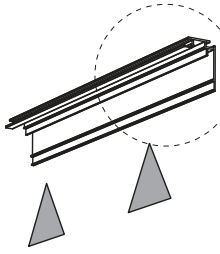
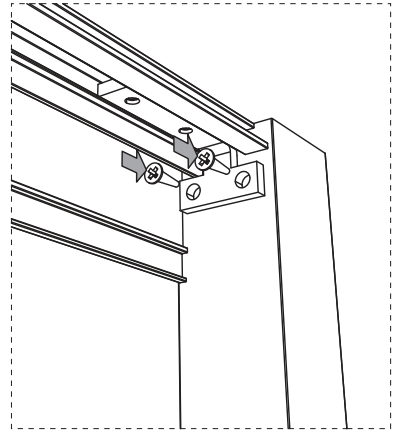
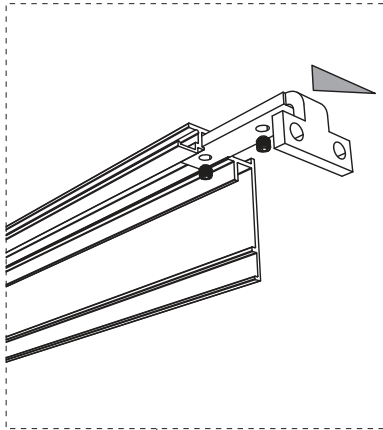
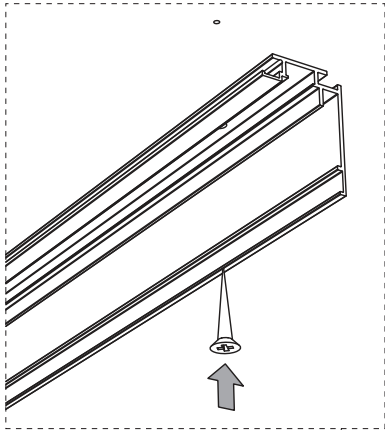
x1

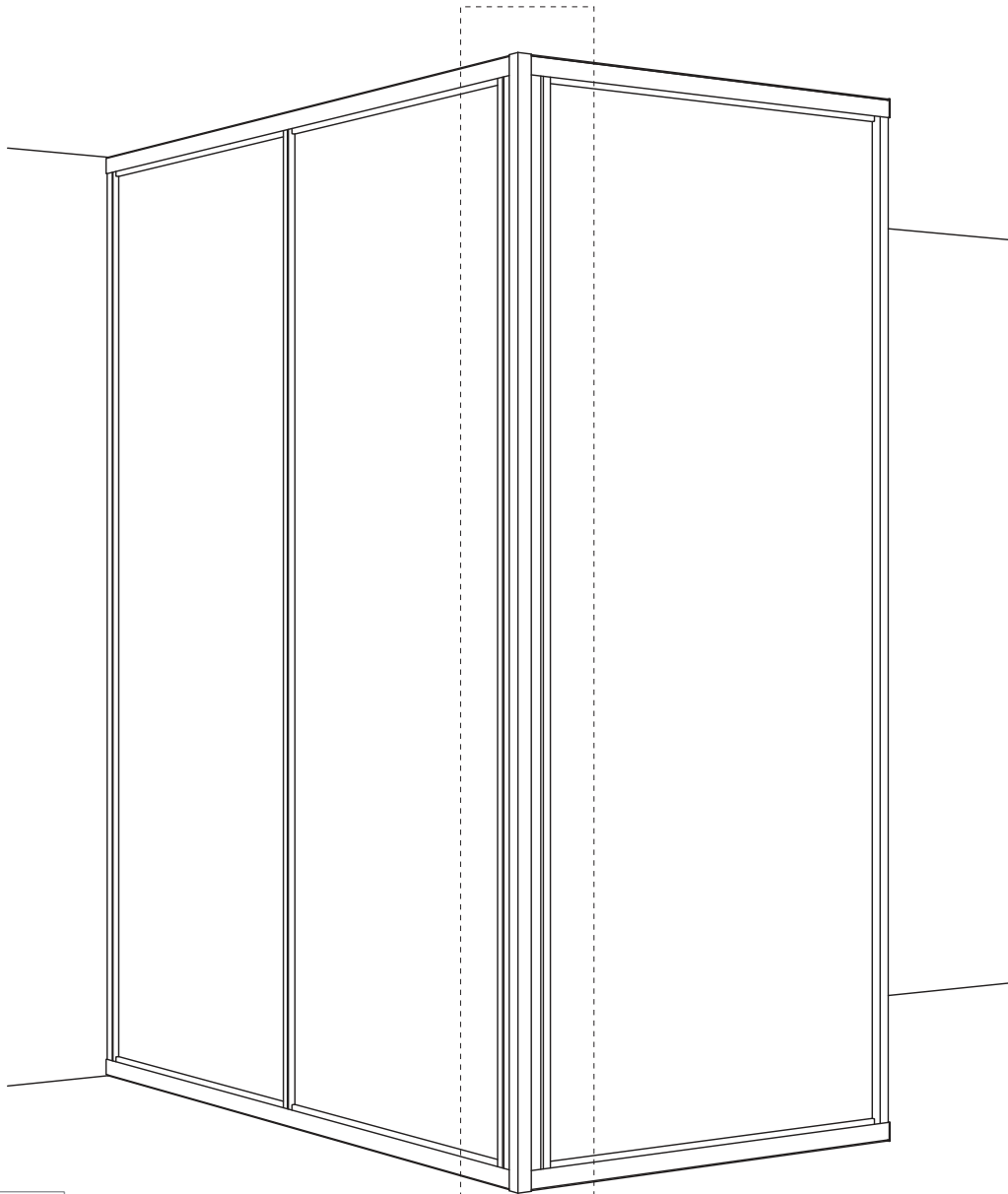








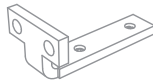




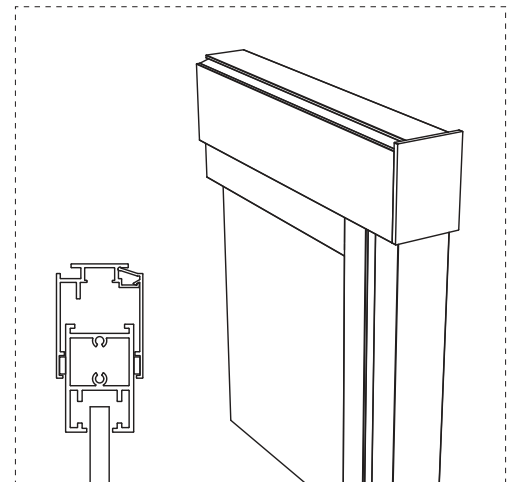
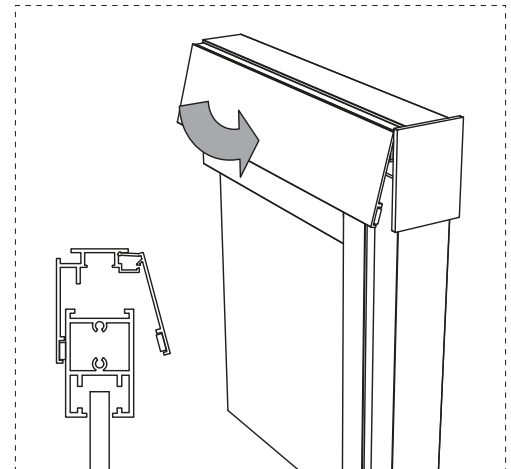
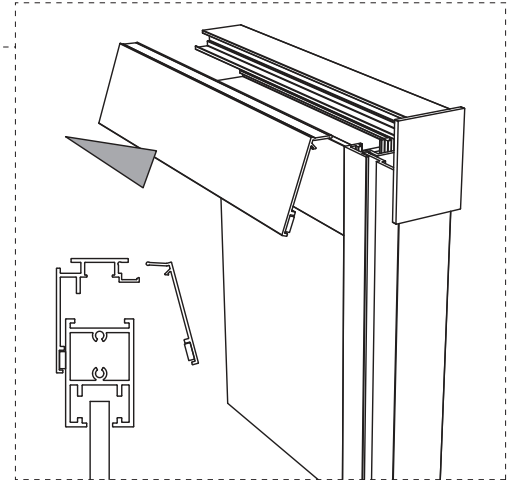
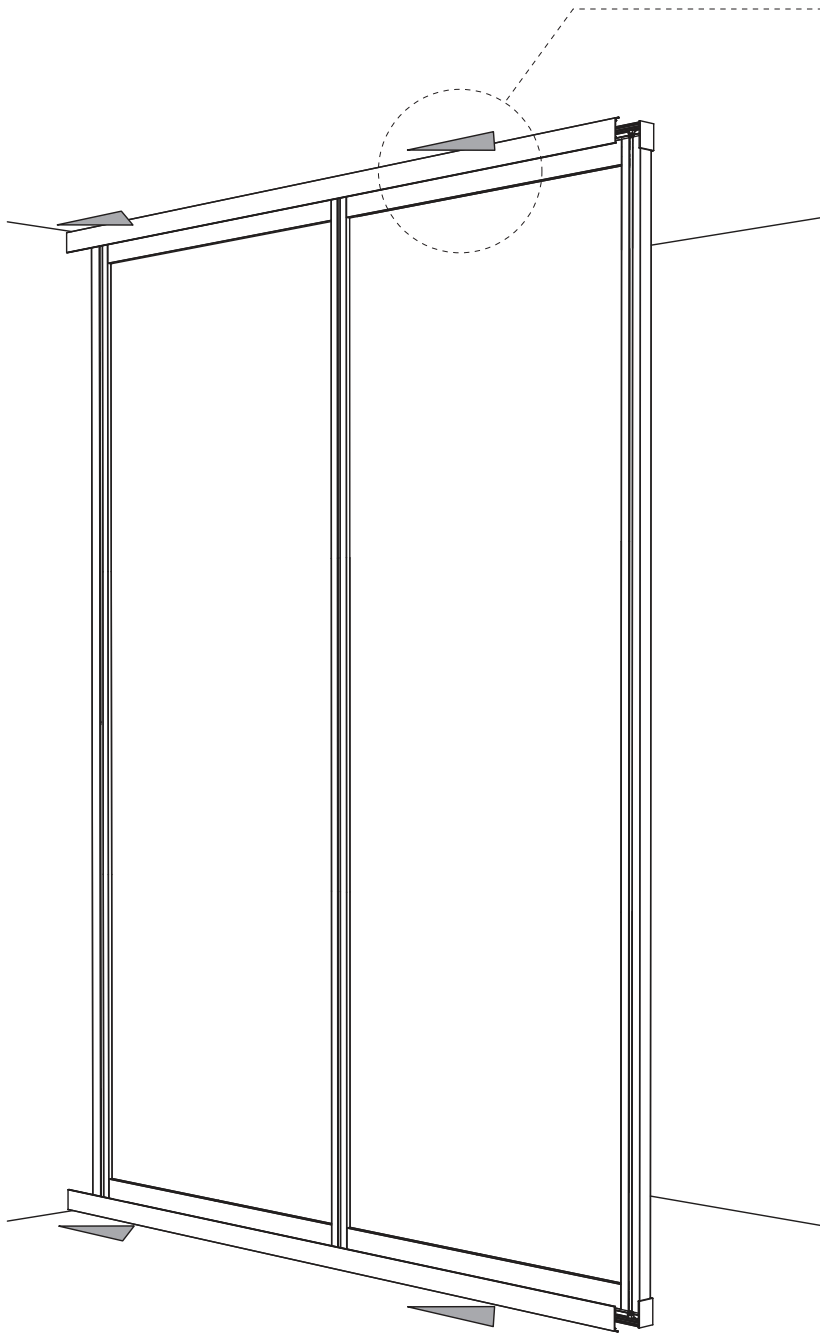
90° Corner

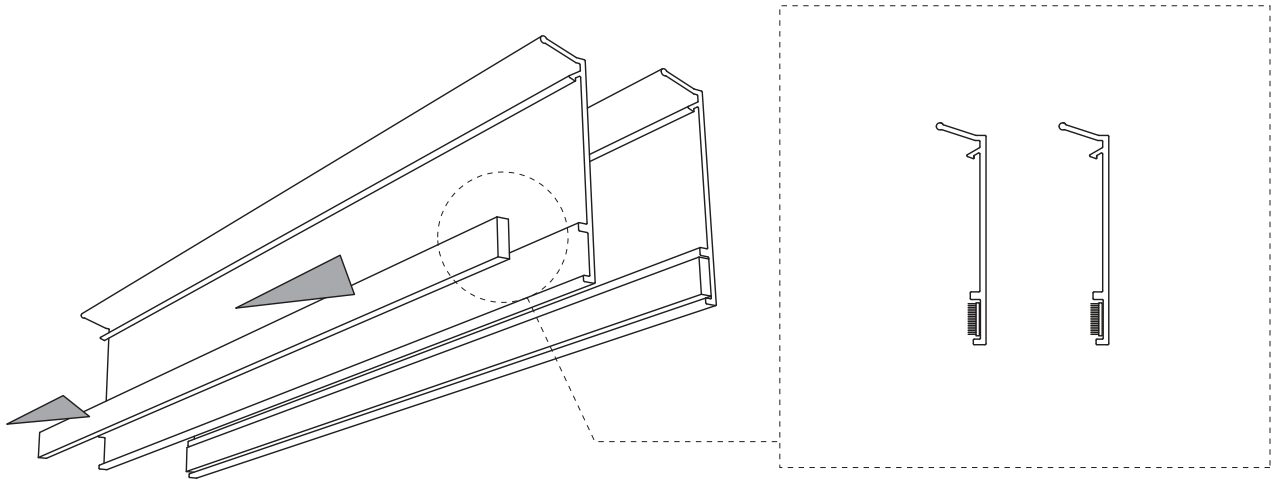


x1

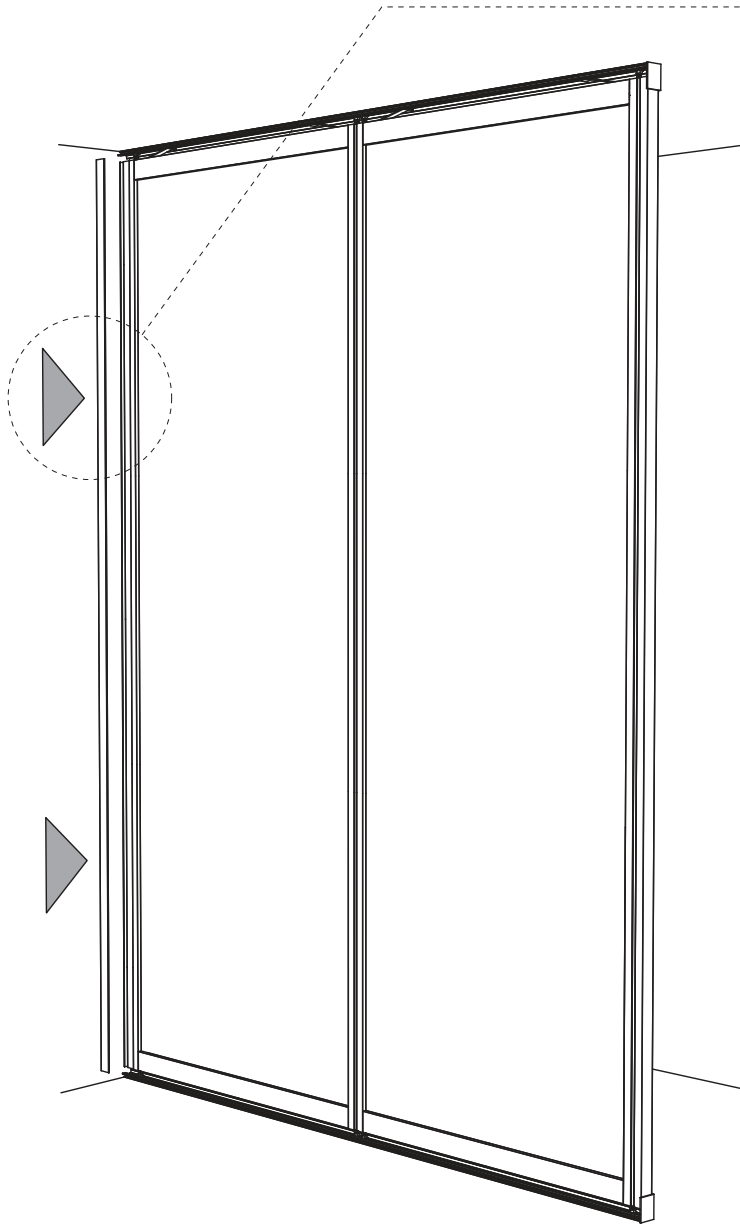


x4





x2



x1

